

Camlock

Female to Male Threads



		Aluminum	HP Aluminum	Brass	Plastic	316 Stainless
Size	Female Inner Dimensions	PSI	PSI	PSI	PSI	PSI
1/2"	1"	150		150	125	150
3/4"	1 5/16"	250		250	125	250
1"	1 1/2"	250		250	125	250
1 1/4"	1 7/8"	250		250	125	250
1 1/2"	2 3/16"	250	750	250	100	250
2"	2 9/16"	250	750	250	100	250
2 1/2"	3 1/16"	150	750	150		150
3"	3 11/16"	125		125	60	125
4"	4 3/4"	100		100	50	100
5"	5 13/16"	75		75		75
6"	6 7/8"	75		75		75

Available

- Aluminum, High Pressure Aluminum, Brass, Plastic, 316 Stainless Steel
- Seal: Buna
- Includes Safety Pins
- Type: "B" Quick Disconnect
- Type "B" female camlock (Cam & Groove) coupler to male NPT threads.

Connections

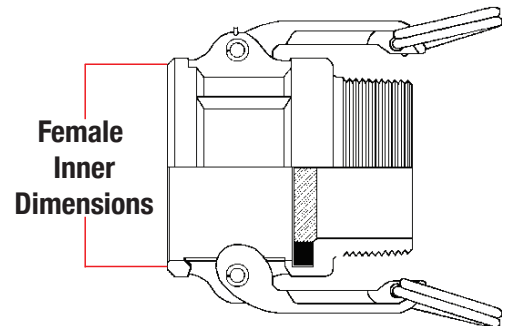
The female side of this adapter will only connect to male camlock. The male threaded side of this adapter will only connect to a female National Pipe Tapered (NPT) or National Pipe Straight Hose (NPSH) thread. For example, PVC or metal pipe fitting.

How it works

To make a connection, simply slide the adapter into the coupler and with normal hand pressure, press the cam levers down.

Uncoupling is as quick and simple as coupling. Just lift the cam arms and remove the adapter.

Cam and groove couplings, also called cam lock fittings or quick connect couplings, are used in most industries as a hose connection to avoid leakages. This kind of coupling is popular because it is considered to be a simple and economical way of re-connecting and disconnecting.



⚠️ WARNING

Under no circumstances should cam and groove couplings be used for compressed air or steam!